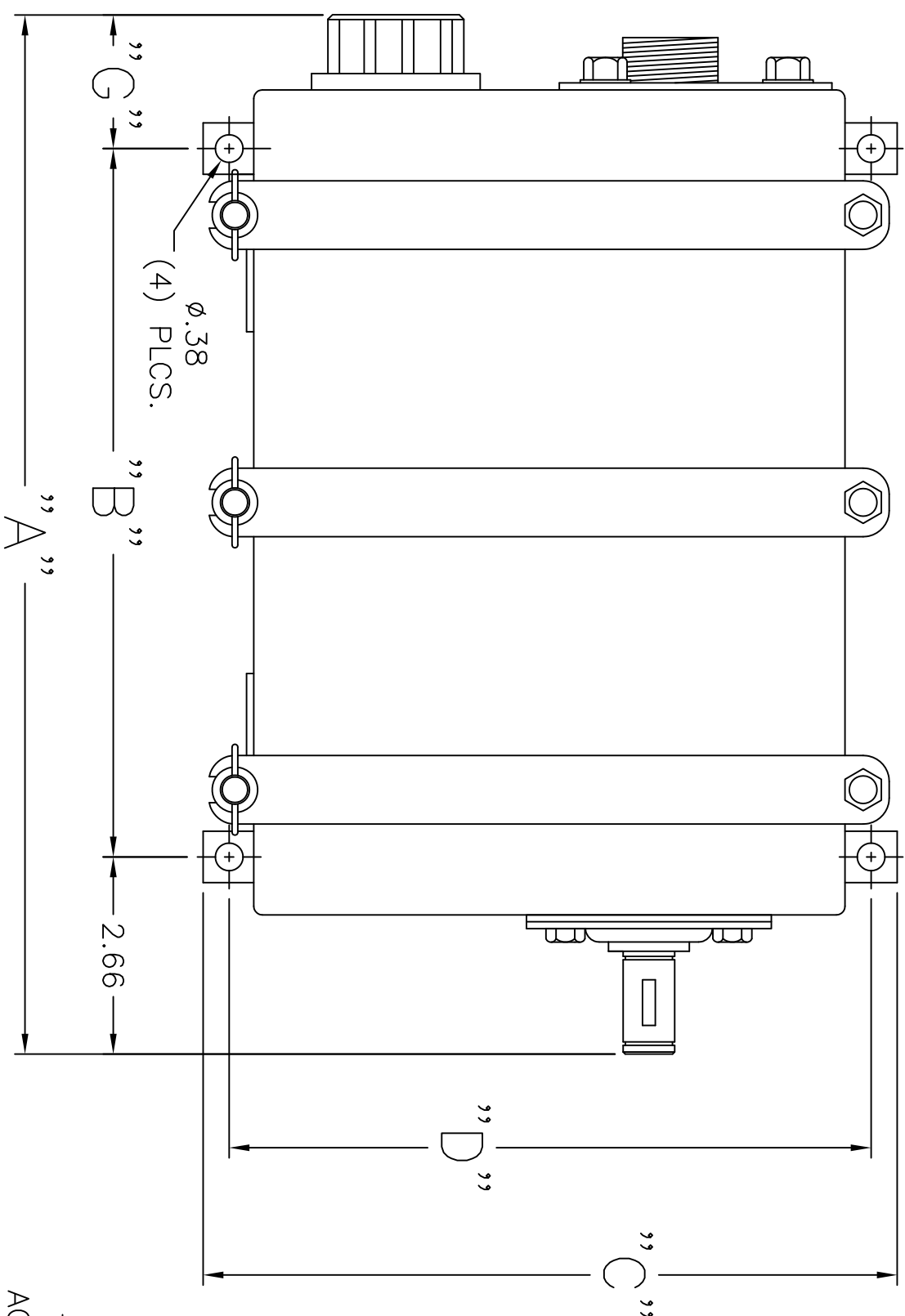
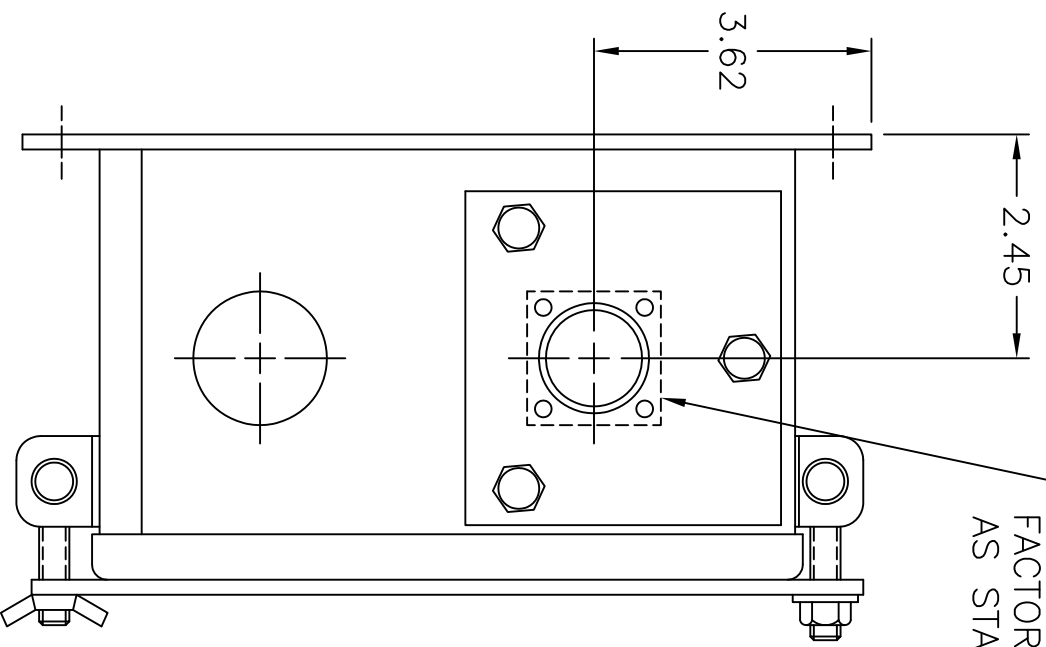
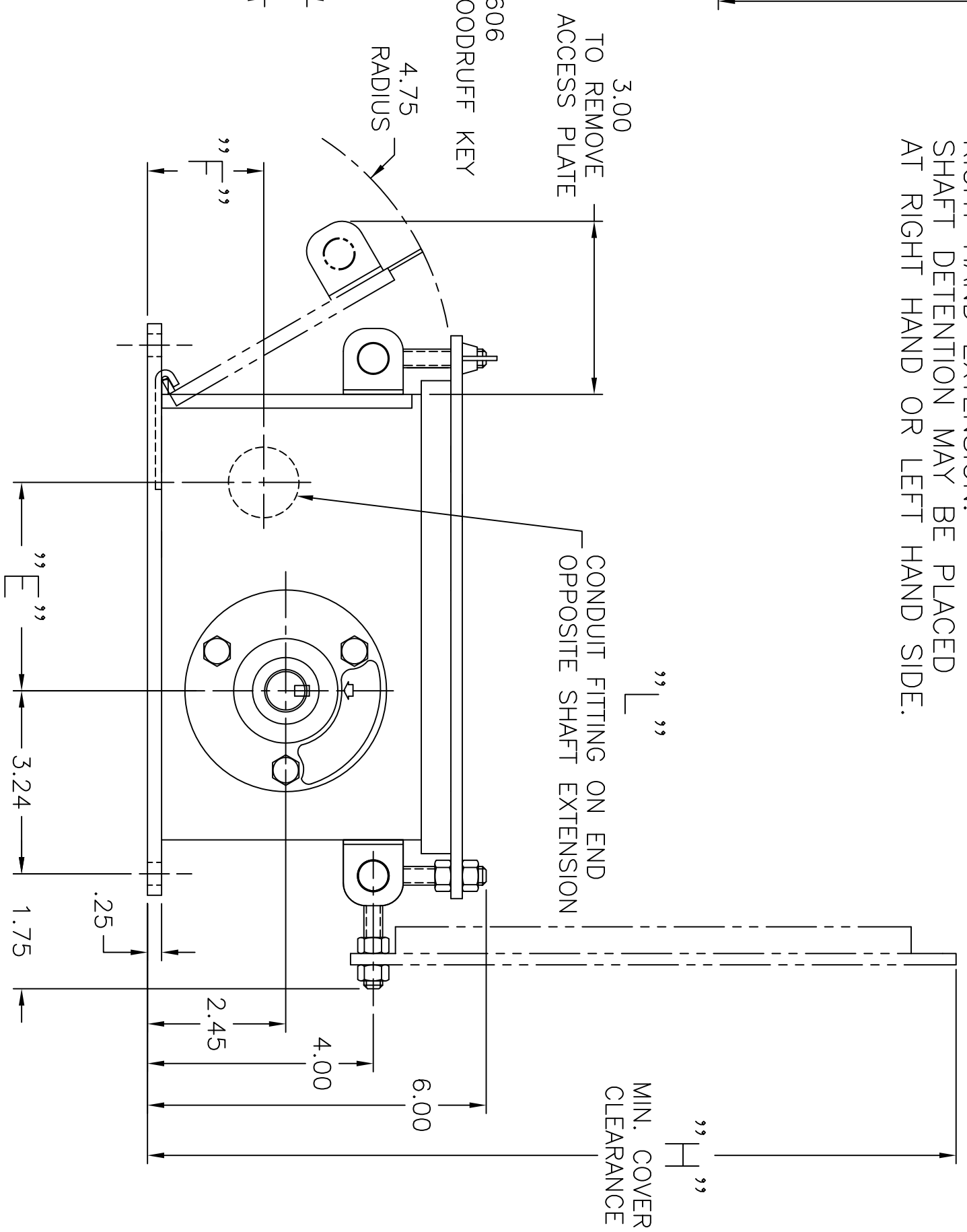
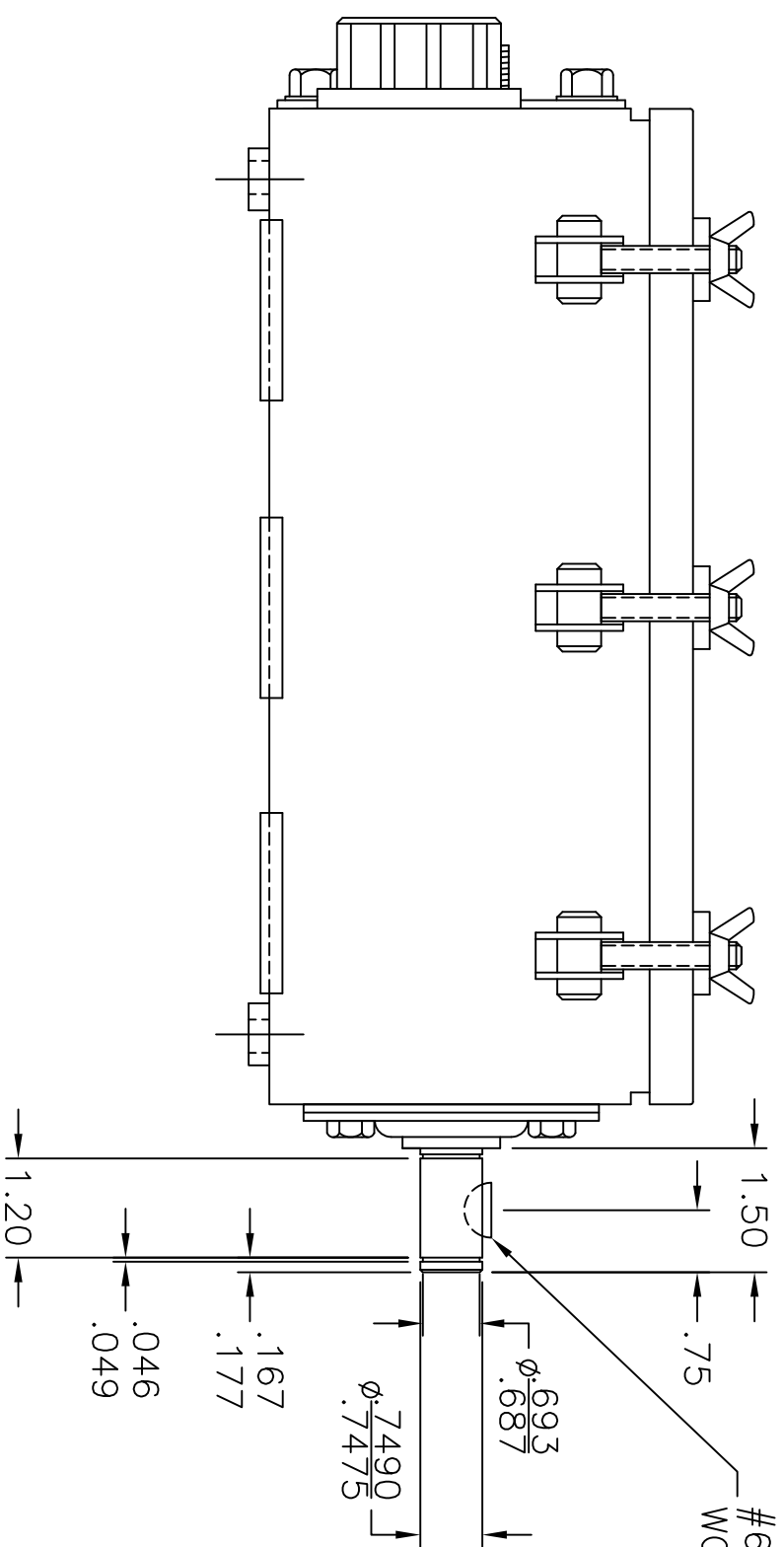


AMPHENOL CONNECTOR
97-3102A-16S-1-P
FACTORY PROVIDED
AS STANDARD



NOTE: ASSEMBLY SHOWN IS STANDARD
RIGHT HAND EXTENSION.
SHAFT DETENTION MAY BE PLACED
AT RIGHT HAND OR LEFT HAND SIDE.



NUMBER OF CIRCUITS	A	B	C	D	E	F	G	H	L
1-2	12.24	7.89	10.12	9.38	3.69	2.06	1.69	13.64	1.25
3-4	14.68	10.33	10.12	9.38	3.69	2.06	1.69	13.64	1.25
5-8	19.56	15.21	10.12	9.38	3.69	2.06	1.69	13.64	1.25
9-12	26.02	21.62	12.12	11.38	4.69	2.81	1.74	15.64	2.00
13-16	30.90	26.50	12.12	11.38	4.69	2.81	1.74	15.64	2.00

REV.	DESCRIPTION	DATE	BY
A	UPDATED TO PATRIOT LOGO	10/27/96	G.S.L.
B	ADDED 13-16 CIR.	10/06/97	J.A.T.

THIRD ANGLE PROJECTION	DR. G.S.L.	TITLE
SURFACE FINISH $\sqrt{32}$	DATE 07/11/90	DIMENSION DRAWING
TOLERANCE ALLOWANCE	APP.	1980R SERIES
UNLESS OTHERWISE SPECIFIED:	SCALE	NEMA 4 1-16 CIRCUIT
±.0010 ON 2 PLACE DECIMALS	NONE	DRAWING NO. PD-0053600
±.0005 ON 4 PLACE DECIMALS		REV. SIZE B C
±.30 MIN. ON ALL ANGLES		

COPYRIGHT © 2005 AMETEK AUTOMATION & PROCESS TECHNOLOGIES. ALL RIGHTS RESERVED. DRAWING IS THE PROPERTY OF AMETEK AUTOMATION & PROCESS TECHNOLOGIES. UNAUTHORIZED USE, REPRODUCTION OR DISTRIBUTION IS STRICTLY PROHIBITED BY FEDERAL LAW.

AMETEK
 AUTOMATION & PROCESS TECHNOLOGIES
 Clawson, MI 48017 U.S.A.